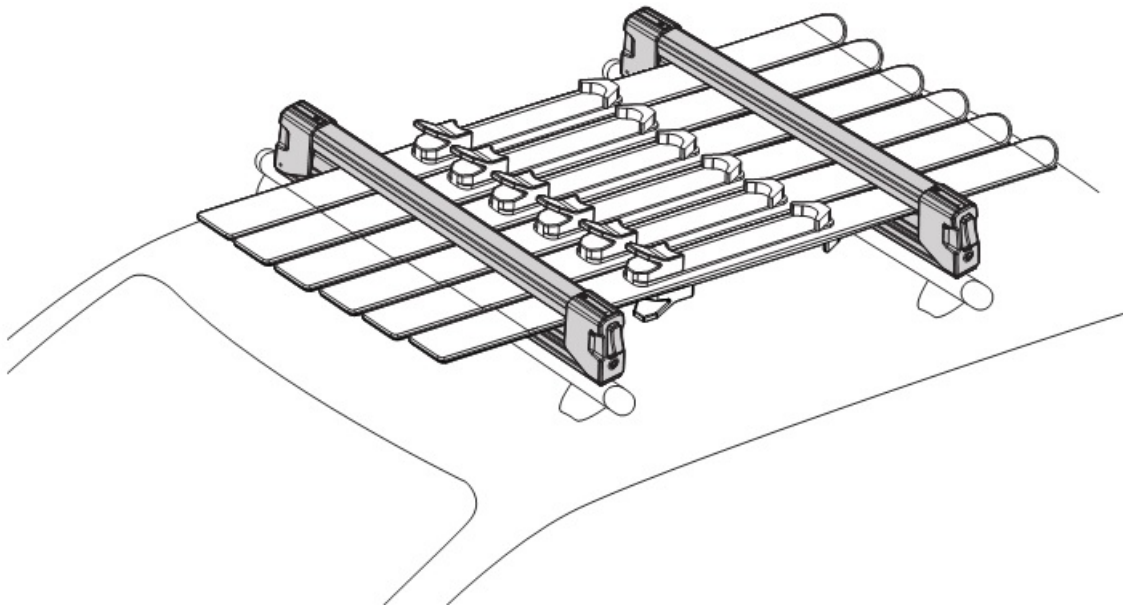


[Skip to content](#)

**Manuals+**

User Manuals Simplified.



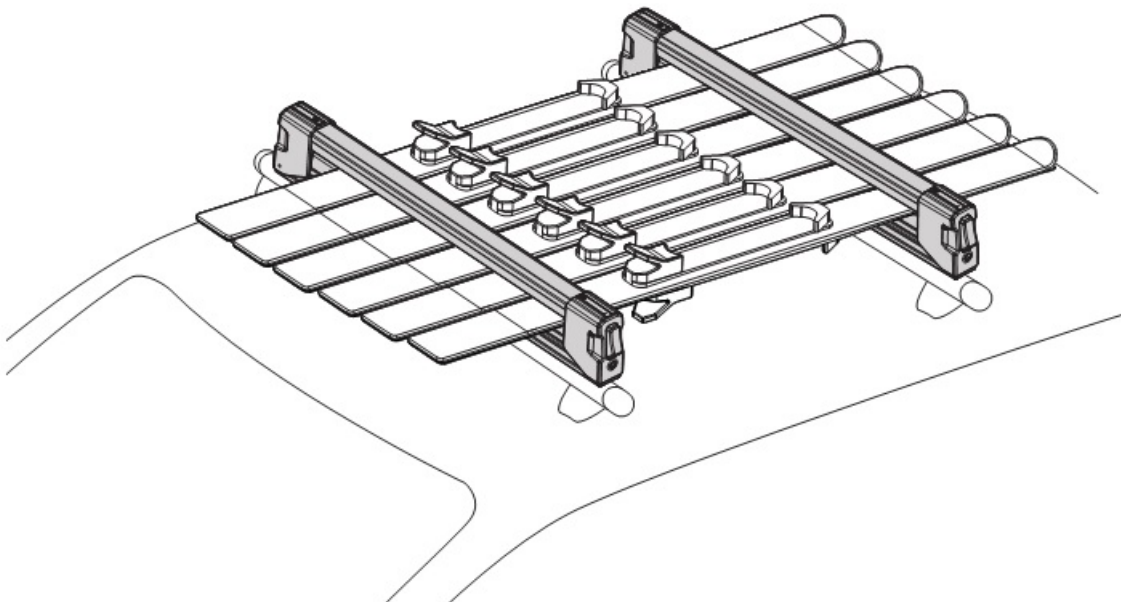
## MENABO YELO Instructions

Home » [MENABO](#) » MENABO YELO Instructions 

*MENABO YELO Instructions*

**MENABO**  
your free time on the move

**YELO**  
**MY3**





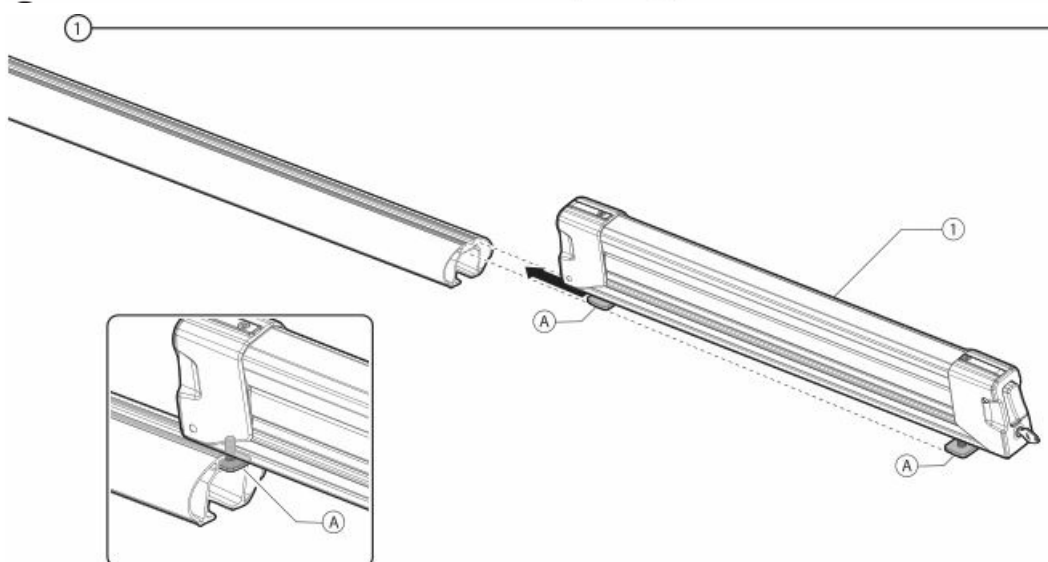
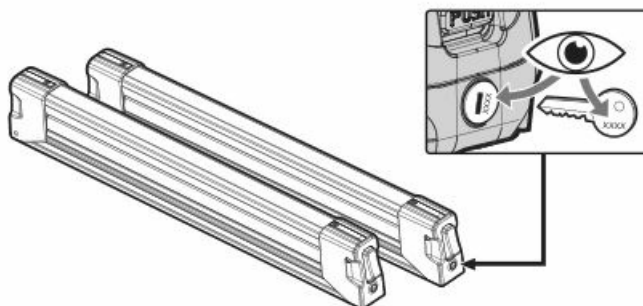
<https://vimeo.com/326603684>



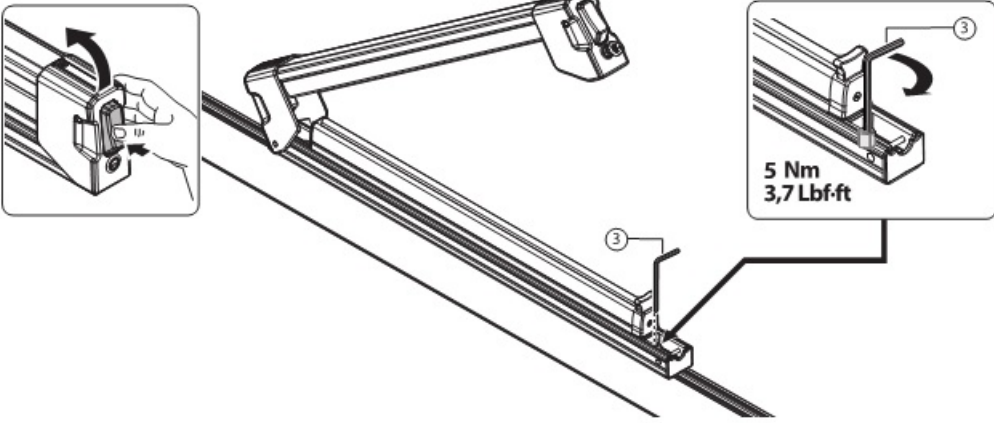
N°	(IT)Componenti (inclusi) (EN)Components (included) (FR)Composants (Compris)	(DE)Die Komponenten (im Lieferumfang enthalten) (ES)Componentes (incluido)	Q.
1			2
A			4
2			2
3			1

N°	(IT)Ricambi (A Richiesta) (EN)Spare Parts (Made to order) (FR)Pièces de rechange (Sur commande)	(DE)E Teile (auf Anfrage) (ES)Piezas de recambio (Previa solicitud)	Codice-Code-Código	Q.
A			700015300000	4
B				4
C				4
3			700023700000	1
2			700010300000	2

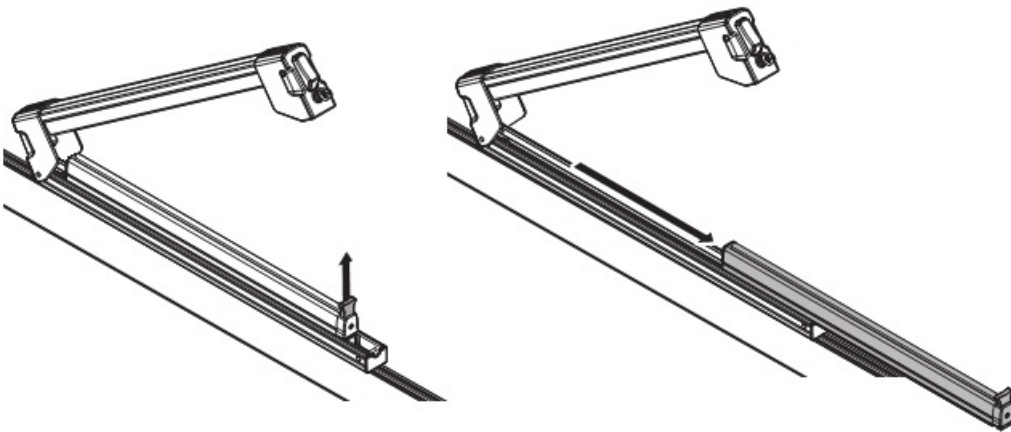
N°		UNIVERSAL OPTIONAL KIT 000110300000	Q.
4			8
5		M6	8
6		M6x60	8
7		Ø6x18	8
8			1



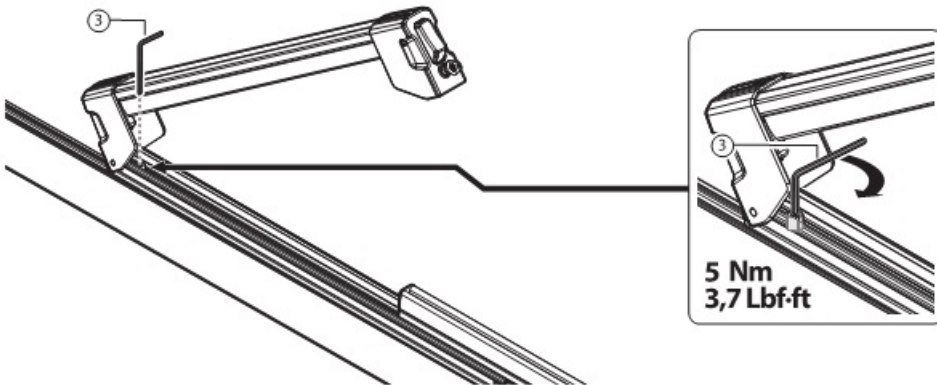
2







3

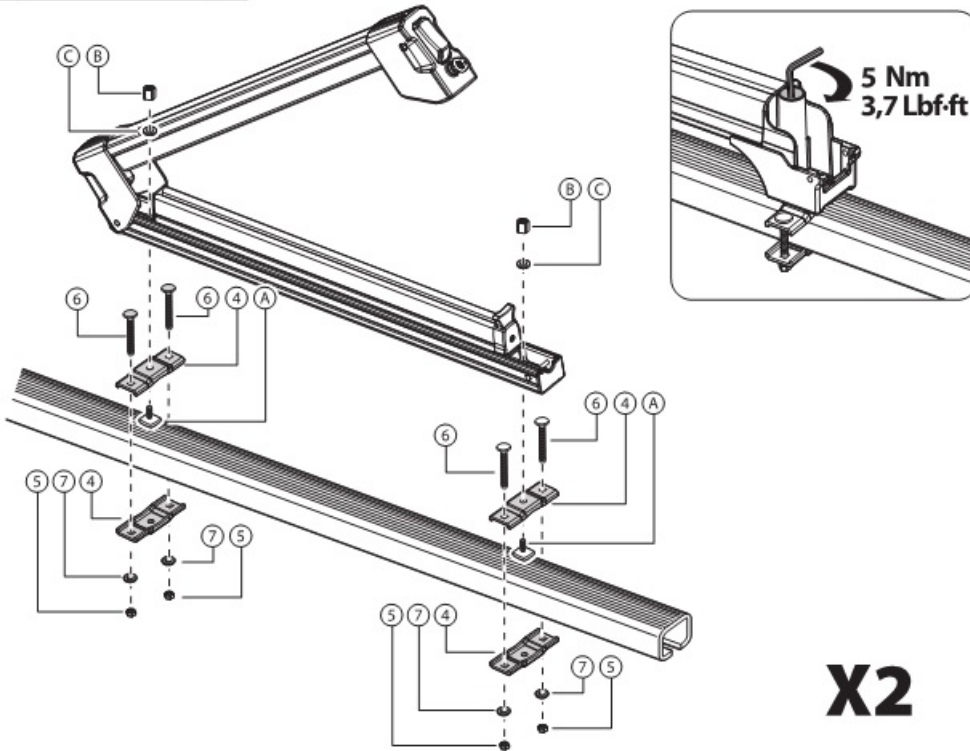
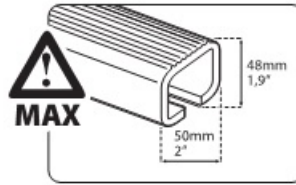



4

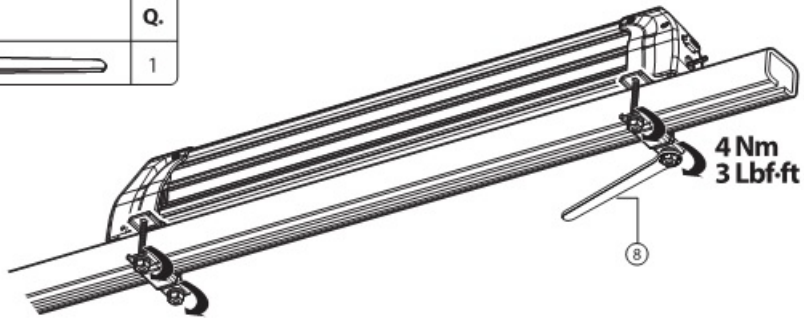


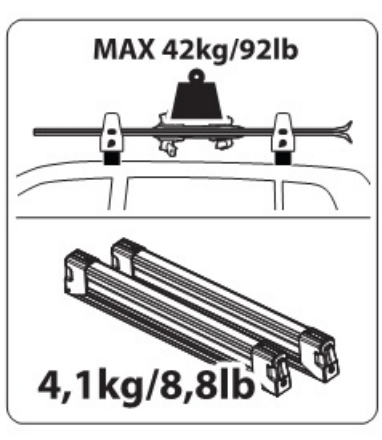
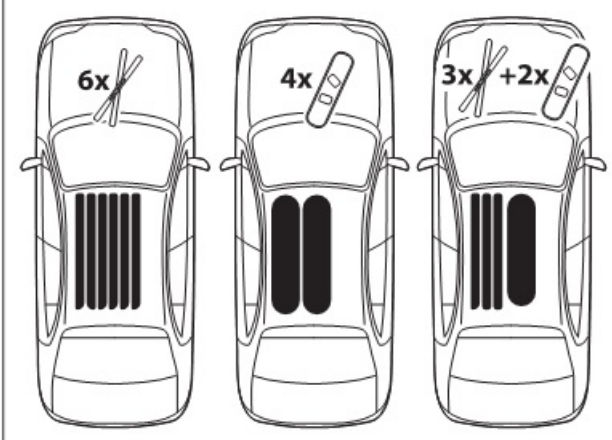
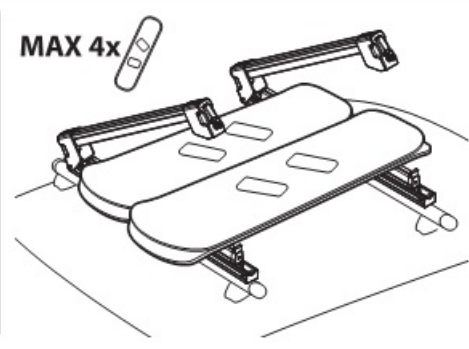
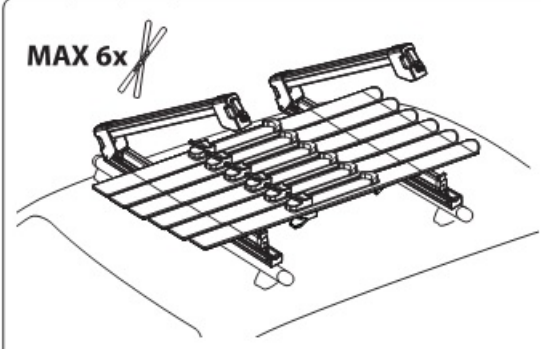
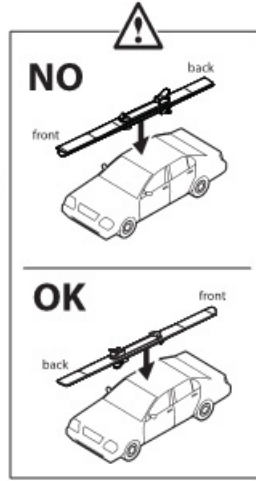
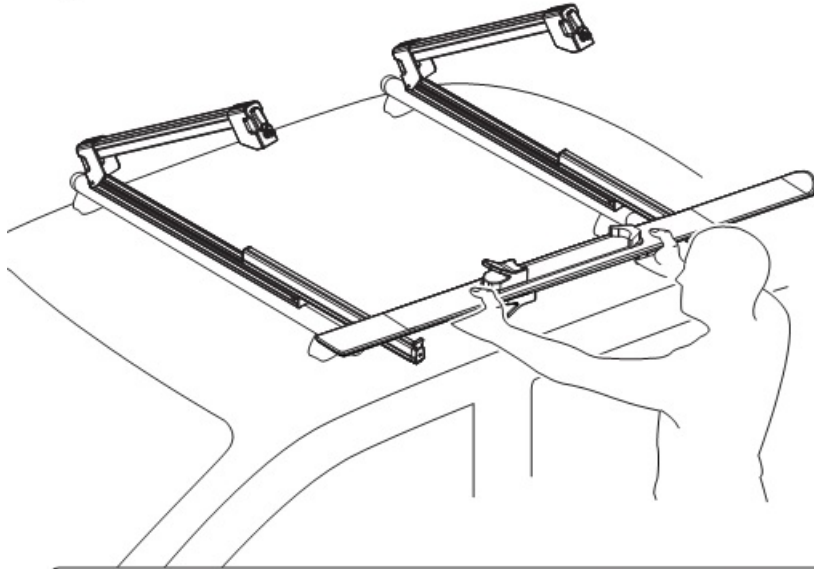
**OPTIONAL KIT 00011030000**

N°		Q.
4		8
5	 M6	8
6	 M6x60	8
7	 Ø6x18	8

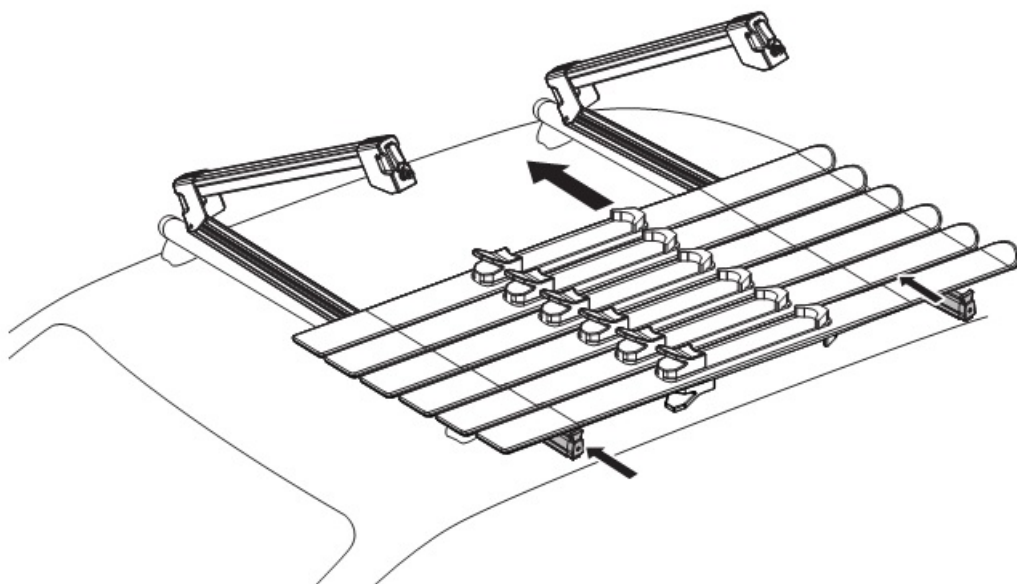


N°		Q.
8		1

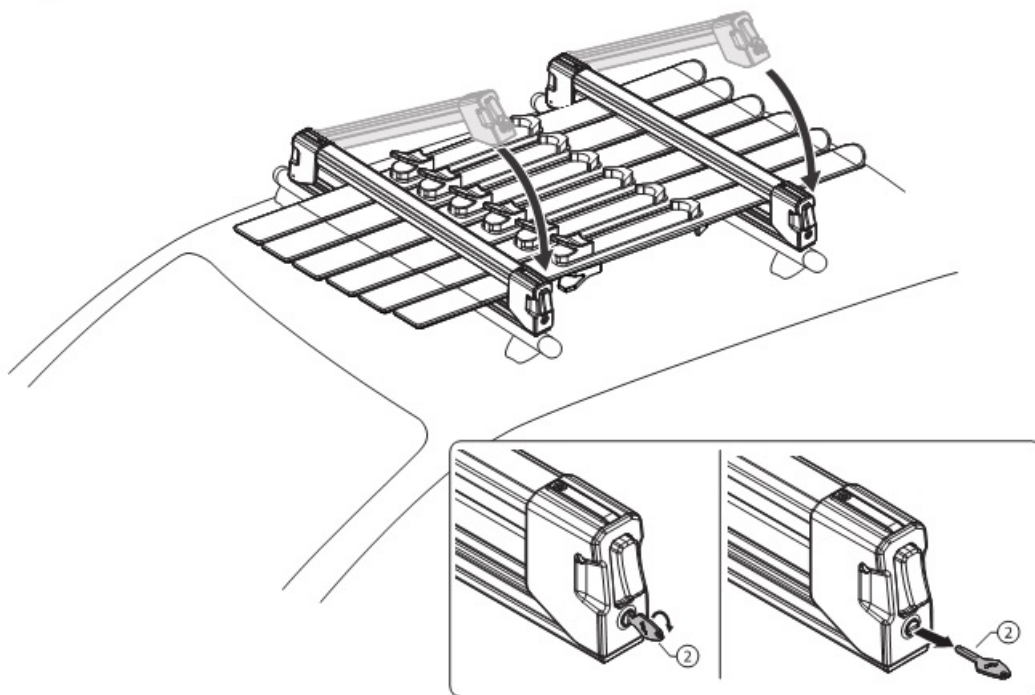


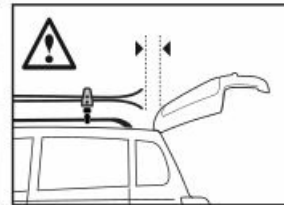
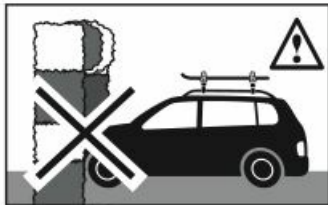
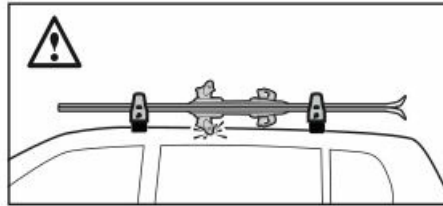
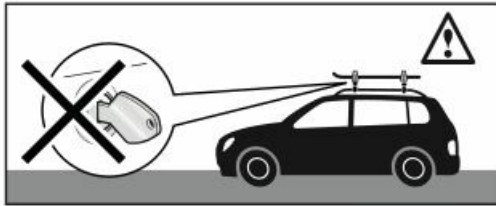
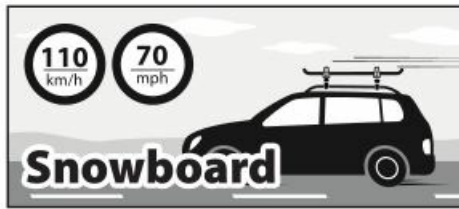
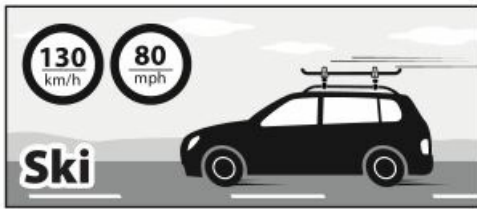


6



7

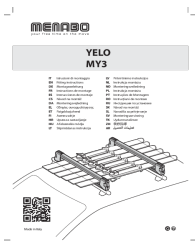




YELO / MY3	x	+	4,1kg / 8,8 lb	+	MAX 7kg / 15lb	OR	MAX 7kg / 15lb
					x6	x4	
MAX 42kg / 92 lb							

**F.lli Menabò S.r.l.**  
 Via 8 Marzo, 3  
 42025 Cavriago (RE)  
 Tel. +39-0522/942840  
 Fax. +39-0522/942948  
 e-mail: [info@fli-menabo.it](mailto:info@fli-menabo.it)  
[www.fli-menabo.it](http://www.fli-menabo.it)

## File Downloads



MENABO Instructions [Download](#) [optimized]  
 MENABO, YELO, MY3 [Download](#)